

PLC a SIMATIC 3a - Riešenia a programy :)

FC101

Block: FC101 as **Ladder diagram**

Network: 1



Network: 2



FC101

Block: FC101 as **STL**

Network: 1

```
A    "packa0h"  I0.0
=    "pas>>"   Q8.5
```

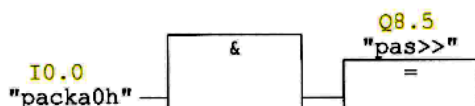
Network: 2

```
A    "packalh"  I0.1
=    "pas<<"   Q8.6
```

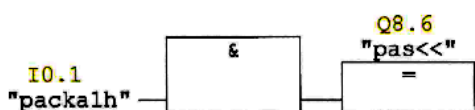
FC101

Block: FC101 as **FBD**

Network: 1



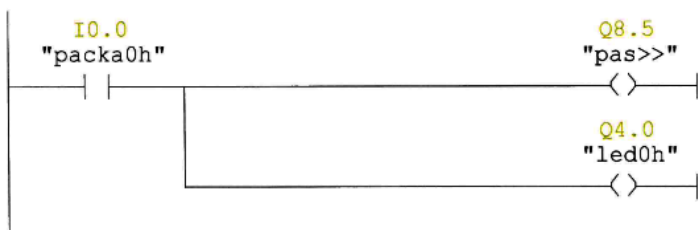
Network: 2



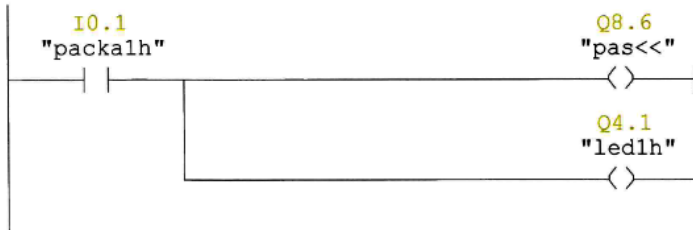
FC102

Block: FC102 as **Ladder diagram**

Network: 1



Network: 2



FC102

Block: FC102 as **STL**

Network: 1

A	"packa0h"	I0.0
=	"pas>>"	Q8.5
=	"led0h"	Q4.0

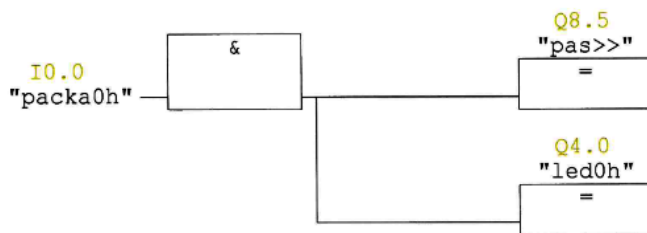
Network: 2

A	"packa1h"	I0.1
=	"pas<<"	Q8.6
=	"led1h"	Q4.1

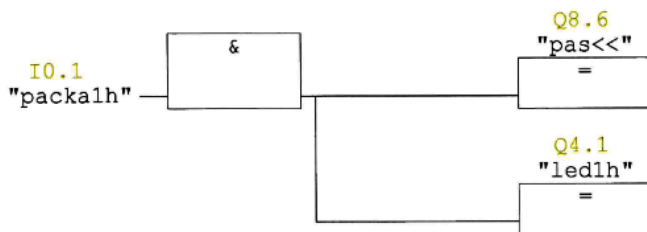
FC102

Block: FC102 as **FBD**

Network: 1



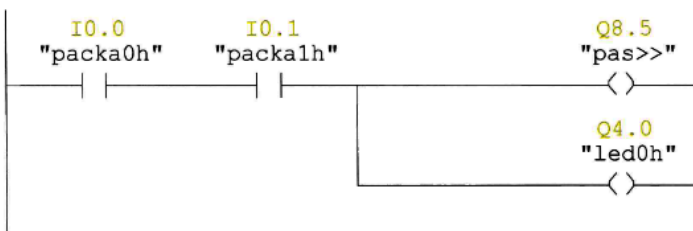
Network: 2



FC103

Block: FC103 as **Ladder diagram**

Network: 1



Network: 2



FC103

Block: FC103 as STL

Network: 1

```

A    "packa0h"  I0.0
A    "packa1h"  I0.1
=    "pas>>"   Q8.5
=    "led0h"    Q4.0

```

Network: 2

```

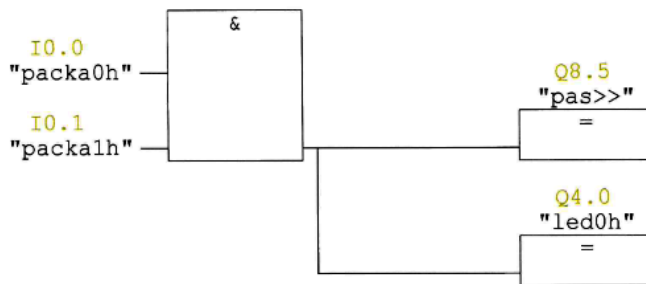
A    "packa2h"  I0.2
=    "pas<<"   Q8.6

```

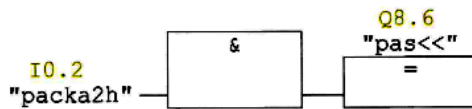
FC103

Block: FC103 as FBD

Network: 1



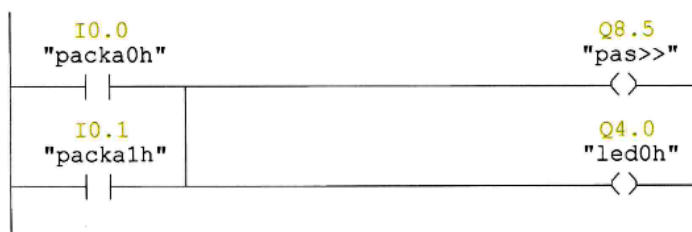
Network: 2



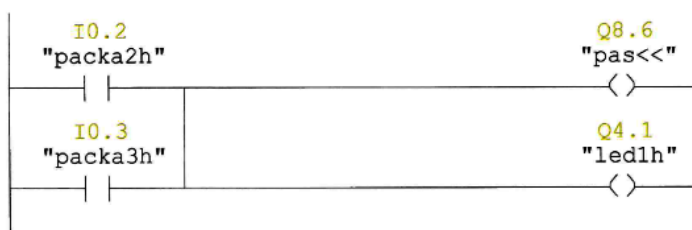
FC104

Block: FC104 as Ladder diagram

Network: 1



Network: 2



FC104

Block: FC104 as STL

Network: 1

```
O    "packa0h"  I0.0
O    "packa1h"  I0.1
=    "pas>>"   Q8.5
=    "led0h"    Q4.0
```

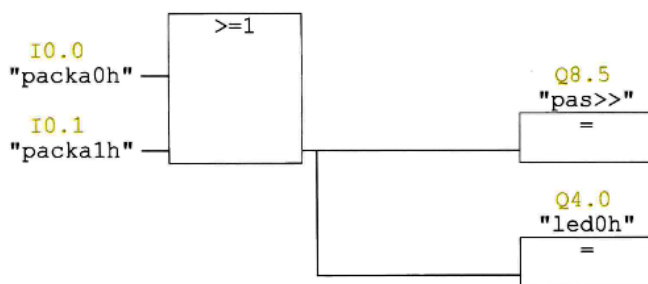
Network: 2

```
O    "packa2h"  I0.2
O    "packa3h"  I0.3
=    "pas<<"   Q8.6
=    "led1h"    Q4.1
```

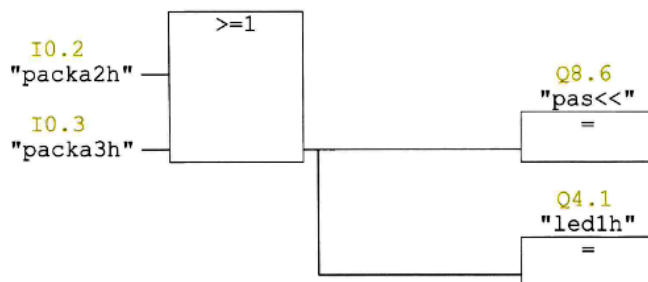
FC104

Block: FC104 as FBD

Network: 1



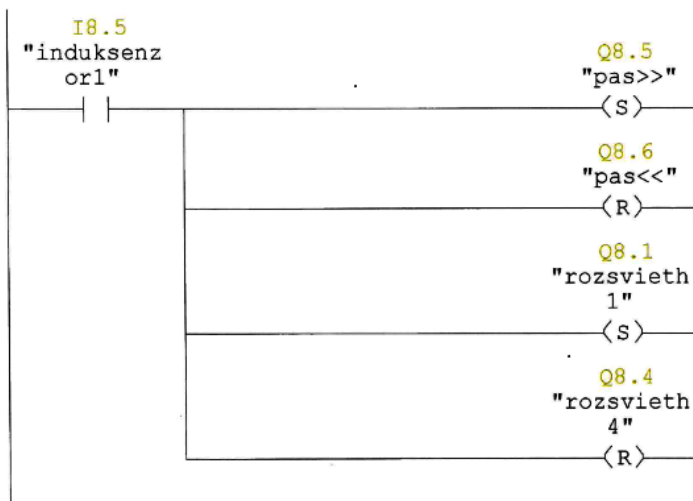
Network: 2



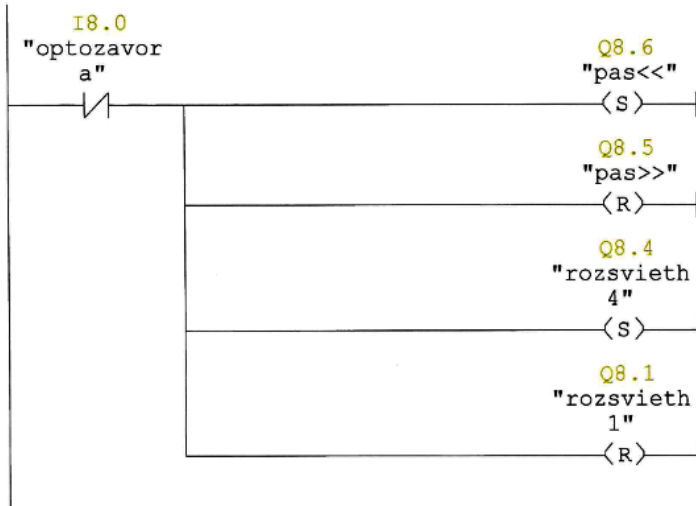
FC105

Block: FC105 as Ladder diagram

Network: 1



Network: 2



FC105

Block: FC105 as **STL**

Network: 1

A	"induksenzor1"	I8.5
S	"pas>>"	Q8.5
R	"pas<<"	Q8.6
S	"rozsvieth1"	Q8.1
R	"rozsvieth4"	Q8.4

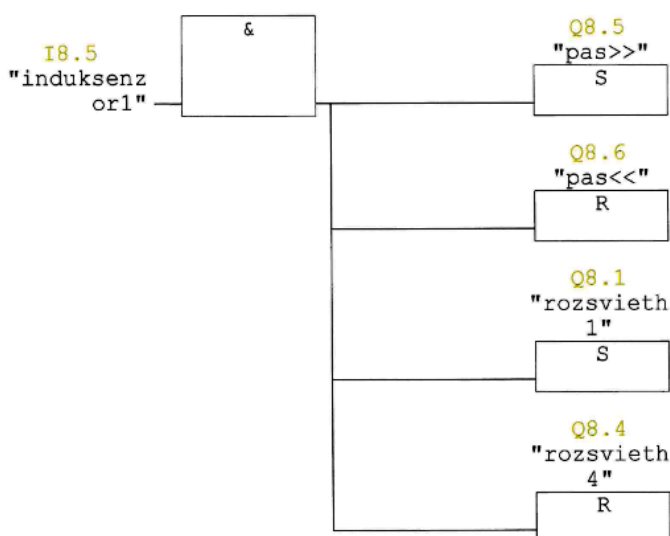
Network: 2

AN	"optozavora"	I8.0
S	"pas<<"	Q8.6
R	"pas>>"	Q8.5
S	"rozsvieth4"	Q8.4
R	"rozsvieth1"	Q8.1

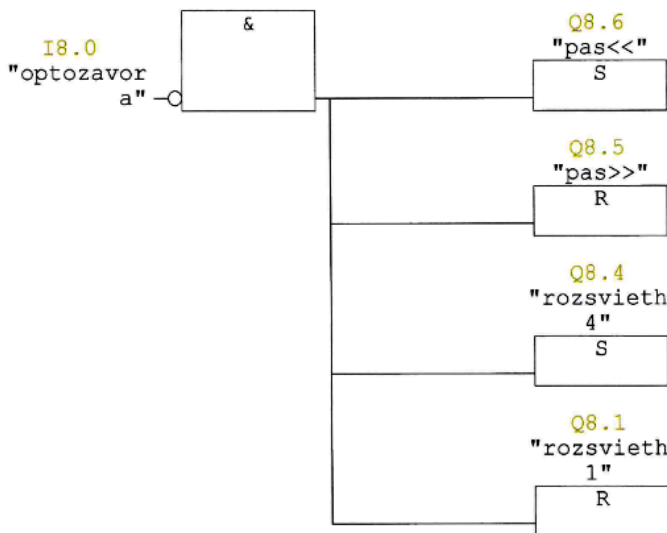
FC105

Block: FC105 as **FBD**

Network: 1



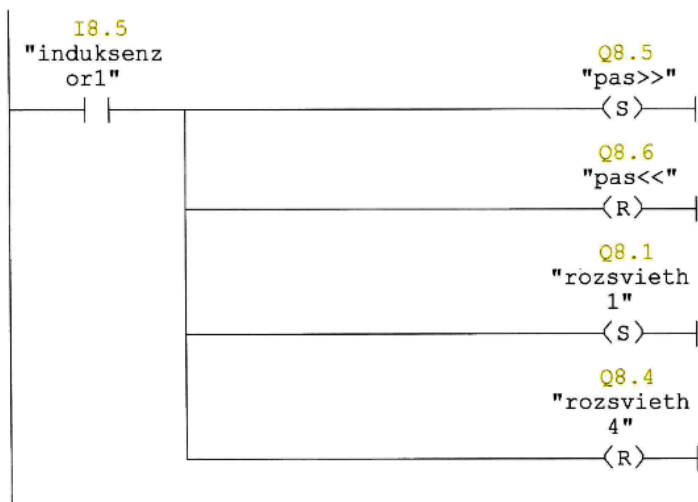
Network: 2



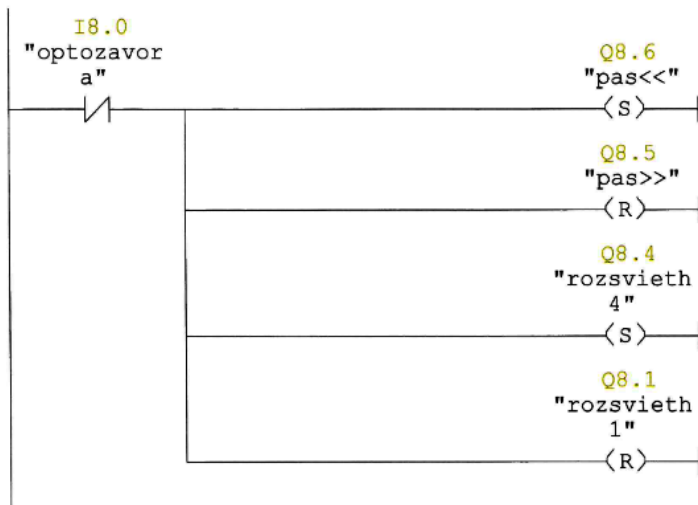
FC106

Block: FC106 as Ladder diagram

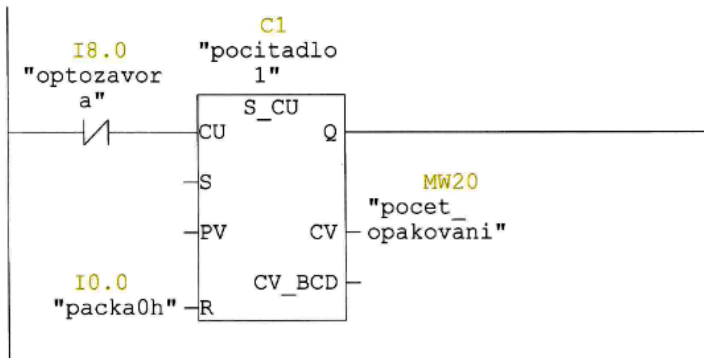
Network: 1



Network: 2



Network: 3



FC106

Block: FC106 as **STL**

Network: 1

A	"induksenzor1"	I8.5
S	"pas>>"	Q8.5
R	"pas<<"	Q8.6
S	"rozsvieth1"	Q8.1
R	"rozsvieth4"	Q8.4

Network: 2

AN	"optozavora"	I8.0
S	"pas<<"	Q8.6
R	"pas>>"	Q8.5
S	"rozsvieth4"	Q8.4
R	"rozsvieth1"	Q8.1

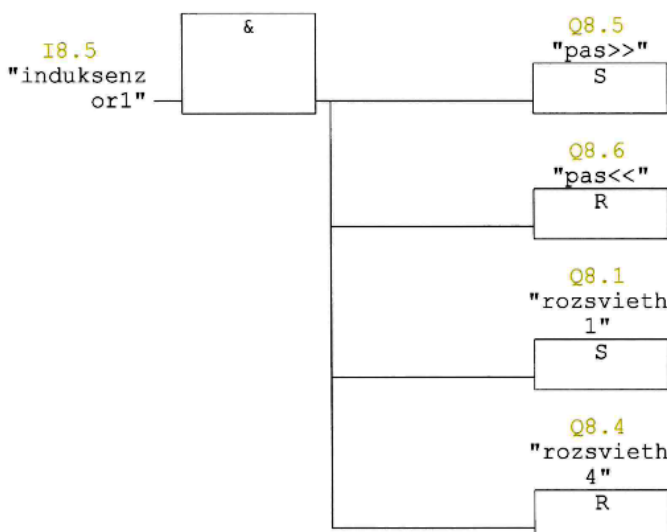
Network: 3

AN	"optozavora"	I8.0
CU	"pocitadlo1"	C1
BLD	101	
NOP	0	
NOP	0	
A	"packa0h"	I0.0
R	"pocitadlo1"	C1
L	"pocitadlo1"	C1
T	"pocet_opakovani"	MW20
NOP	0	
NOP	0	

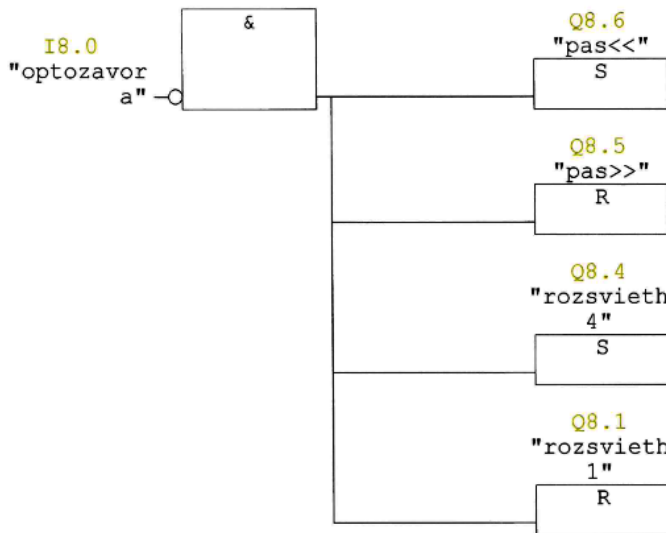
FC106

Block: FC106 as **FBD**

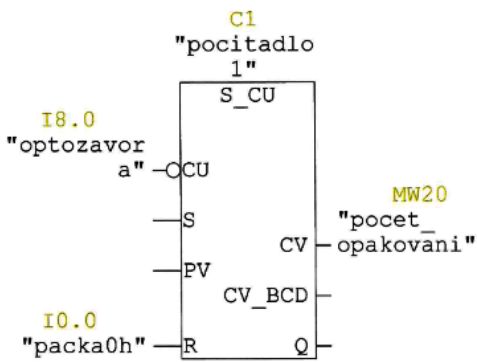
Network: 1



Network: 2



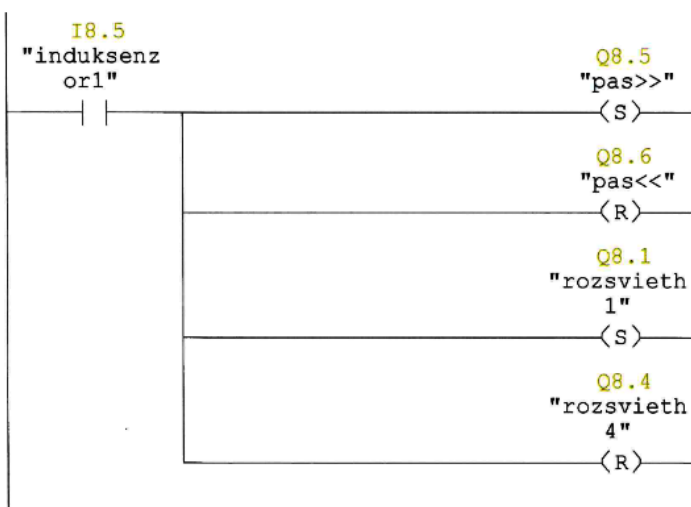
Network: 3



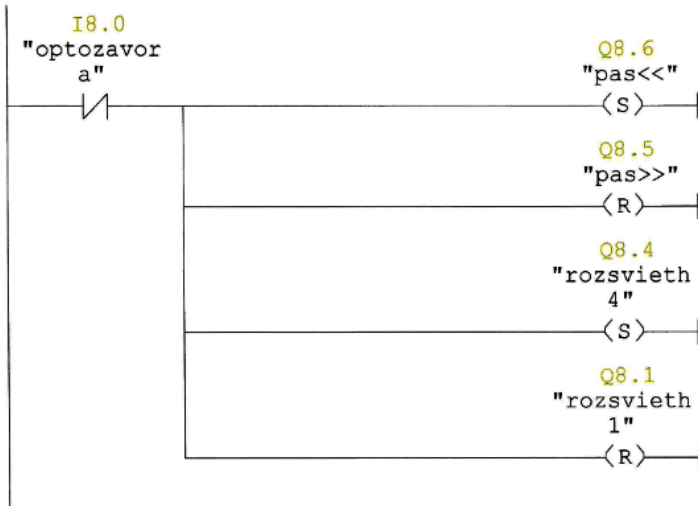
FC107

Block: FC107 as Ladder diagram

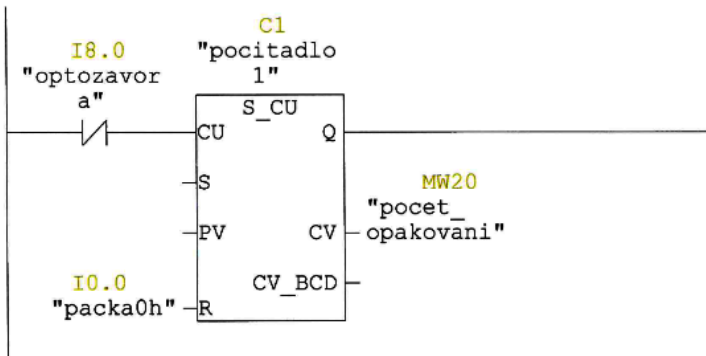
Network: 1



Network: 2



Network: 3



Network: 4

```

L   "pocet_opakovani" MW20
L   5
==I
R   "pas>>"           Q8.5
R   "pas>>"           Q8.5

```

FC107

Block: FC107 as STL

Network: 1

```

A   "induksenzor1"  I8.5
S   "pas>>"         Q8.5
R   "pas<<"         Q8.6
S   "rozsvieth1"    Q8.1
R   "rozsvieth4"    Q8.4

```

Network: 2

```

AN  "optozavora"    I8.0
S   "pas<<"         Q8.6
R   "pas>>"         Q8.5
S   "rozsvieth4"    Q8.4
R   "rozsvieth1"    Q8.1

```

Network: 3

```

AN  "optozavora"      I8.0
CU  "pocitadlo1"     C1
BLD 101
NOP 0
NOP 0
A   "packa0h"        I0.0
R   "pocitadlo1"     C1
L   "pocitadlo1"     C1
T   "pocet_opakovani" MW20
NOP 0
NOP 0

```

Network: 4

```

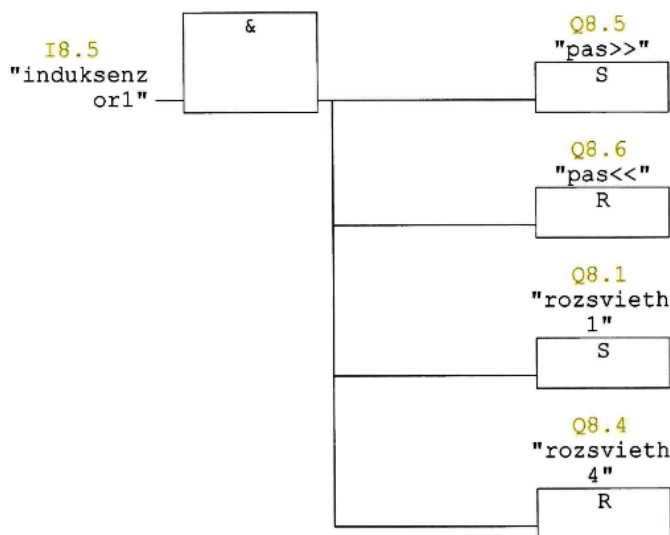
L   "pocet_opakovani" MW20
L   5
==I
R   "pas>>"          Q8.5
R   "pas>>"          Q8.5

```

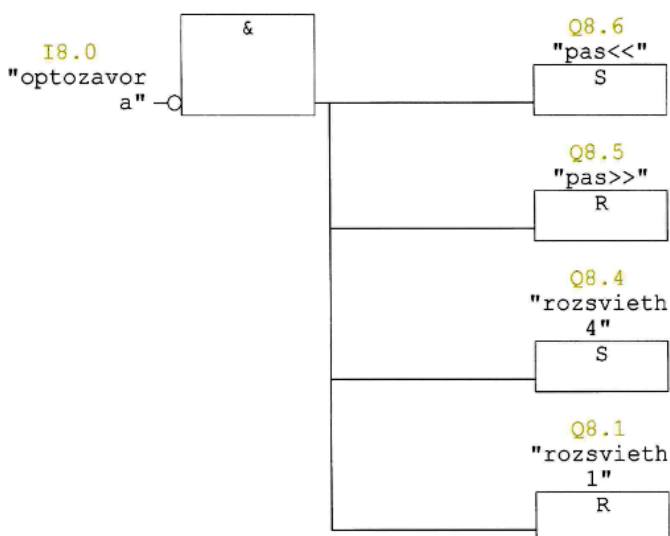
FC107

Block: FC107 as FBD

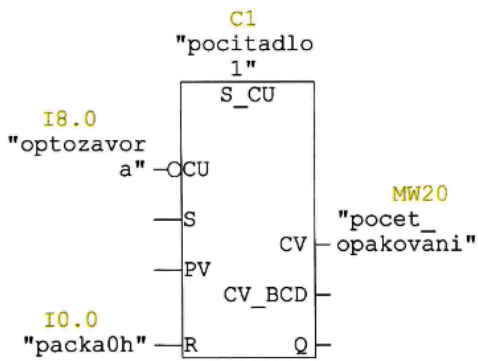
Network: 1



Network: 2



Network: 3



Network: 4

```

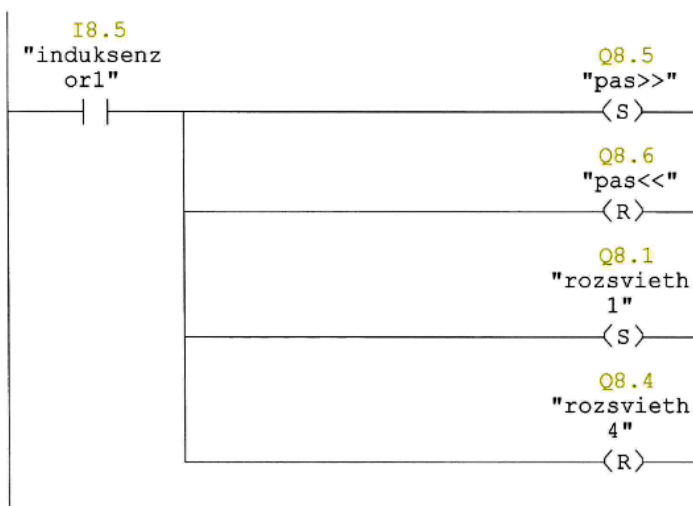
L   "pocet_opakovani" MW20
L   5
==I
R   "pas>>"           Q8.5
R   "pas>>"           Q8.5

```

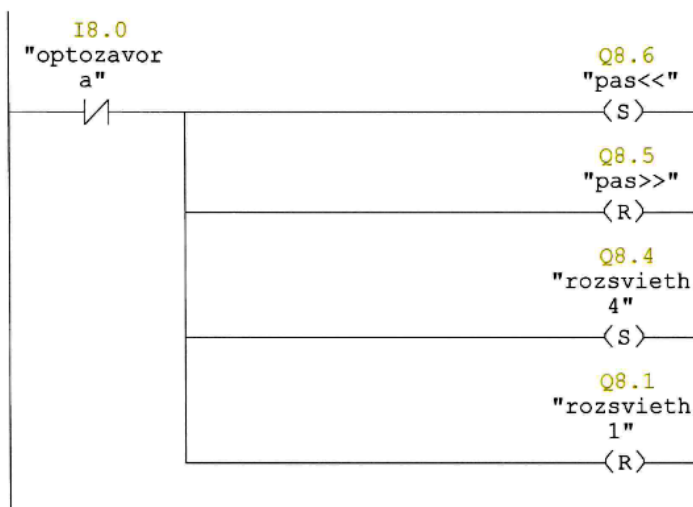
FC108

Block: FC108 as Ladder diagram

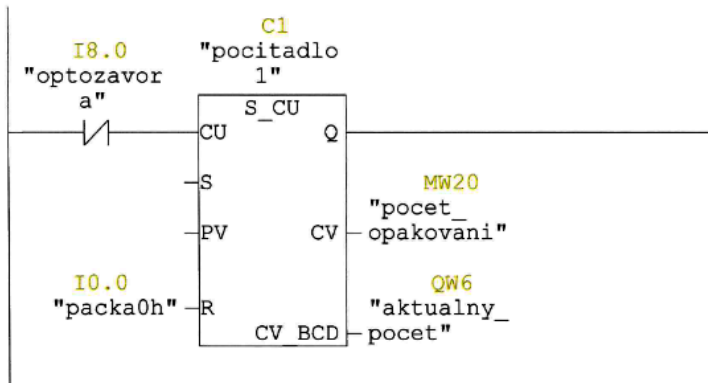
Network: 1



Network: 2



Network: 3



Network: 4

```

L   "pocet_opakovani" MW20
L   5
==I
R   "pas>>"           Q8.5
R   "pas>>"           Q8.5

```

FC108

Block: FC108 as STL

Network: 1

```

A   "induksenzor1"  I8.5
S   "pas>>"         Q8.5
R   "pas<<"         Q8.6
S   "rozsvieth1"    Q8.1
R   "rozsvieth4"    Q8.4

```

Network: 2

```

AN  "optozavora"    I8.0
S   "pas<<"         Q8.6
R   "pas>>"         Q8.5
S   "rozsvieth4"    Q8.4
R   "rozsvieth1"    Q8.1

```

Network: 3

```

AN  "optozavora"    I8.0
CU  "pocitadlo1"    C1
BLD 101
NOP  0
NOP  0
A   "packa0h"       I0.0
R   "pocitadlo1"    C1
L   "pocitadlo1"    C1
T   "pocet_opakovani" MW20
LC  "pocitadlo1"    C1
T   "aktualny_pocet" QW6
NOP  0

```

Network: 4

```

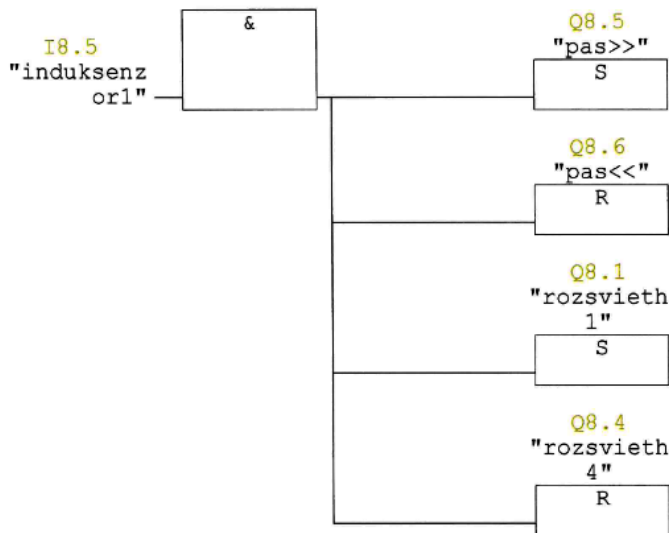
L   "pocet_opakovani" MW20
L   5
==I
R   "pas>>"           Q8.5
R   "pas>>"           Q8.5

```

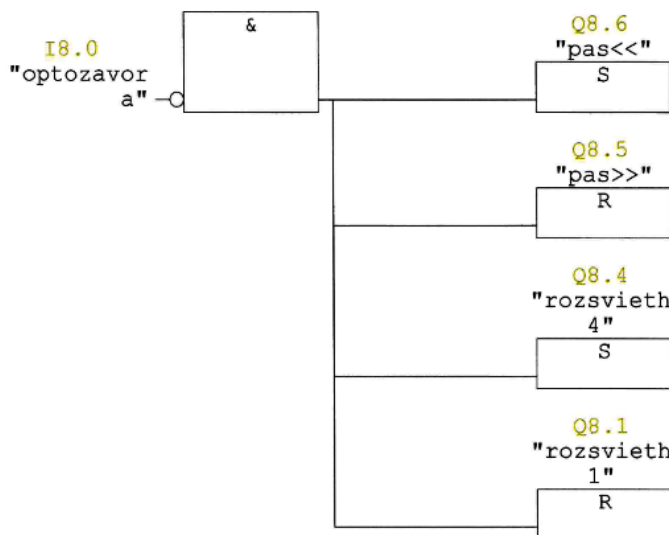
FC108

Block: FC108 as FBD

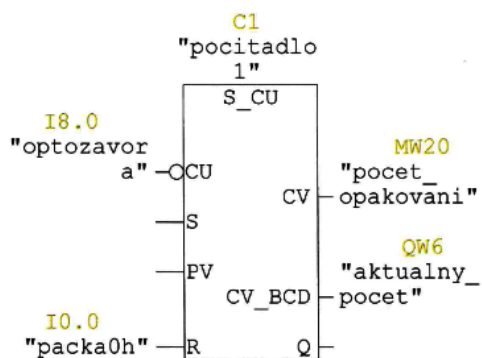
Network: 1



Network: 2



Network: 3



Network: 4

```

L   "pocet_opakovani"  MW20
L   5
==I
R   "pas>>"           Q8.5
R   "pas>>"           Q8.5

```